



SUN MOUNTAIN is an industry-leading manufacturer of custom wood doors, selling nationwide direct to the trade or homeowner—now offering high-quality Primed MDF interior doors with **The Glacier Series**.

- Significant price savings compared to distributors
- Outstanding quality, including engineered stile and rail components resistant to warp
- Short lead times (slabs in stock)

For pricing or to order online, visit [MDF-DOORS.COM](https://www.mdf-doors.com).

888.786.6861



©2025 Sun Mountain, Inc.

MADE IN THE
USA


GLACIER
SERIES

Our Medium Density Fiberboard (MDF) doors are “made by hands” in the U.S.A. at Sun Mountain’s state-of-the-art factory in northern Colorado. Sun Mountain’s doors are true stile and rail construction (not routed or moulded), with engineered components to resist warp. Choose from three contemporary designs, pre-primed in the factory, with optional solid Poplar or finger-joint Pine jambs. Our MDF doors are covered by an industry-leading warranty.

Sun Mountain sells direct to the trade or homeowner and ships nationwide to your home or construction site.

High-quality Construction

- True stile and rail construction
- 1¾" thick
- Engineered components with ½" thick High Density Fiberboard (HDF) veneers
- Square sticking profile with ¾" thick flat MDF panel
- Factory primed (white)
- Optional pre-hanging available with solid Poplar or finger-joint Pine primed jambs

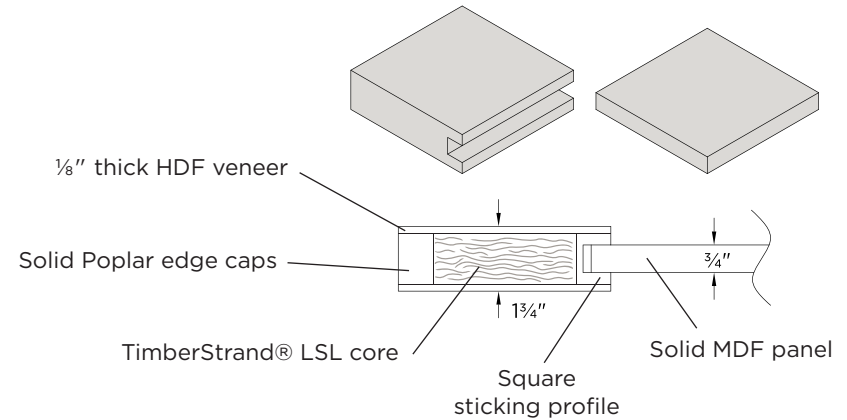


We also offer optional pre-hanging of the doors, with solid Poplar or finger-joint Pine jambs, and square-corner hinges in a selection of color choices. Boring and strike/latch mortising for hardware are provided at no additional cost.

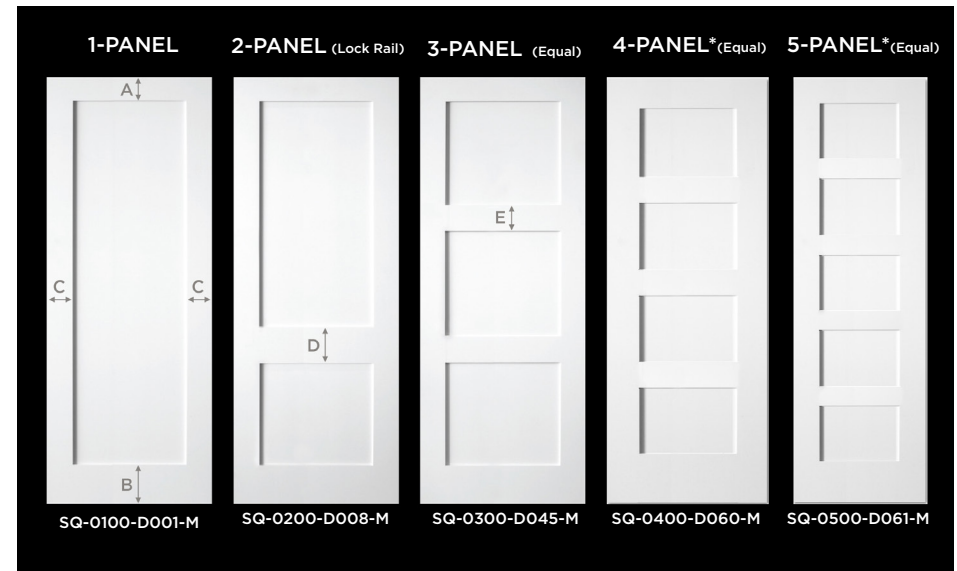
Standard Sizes

Heights	Widths
6'8"	1'6" 2'8"
7'0"	2'0" 2'10"
8'0"	2'4" 3'0"
	2'6"

For pricing or to order online visit MDF-DOORS.COM



Contemporary Designs



- A: 5⁵/₈" top rails
- B: 9¹/₈" kick rails
- C: 5³/₄" stiles
- D: 8" lock rails
- E: 5³/₄" intermediate rails
- * 4 & 5 panel doors limited to 8'0" height

Door slabs shown primed.