

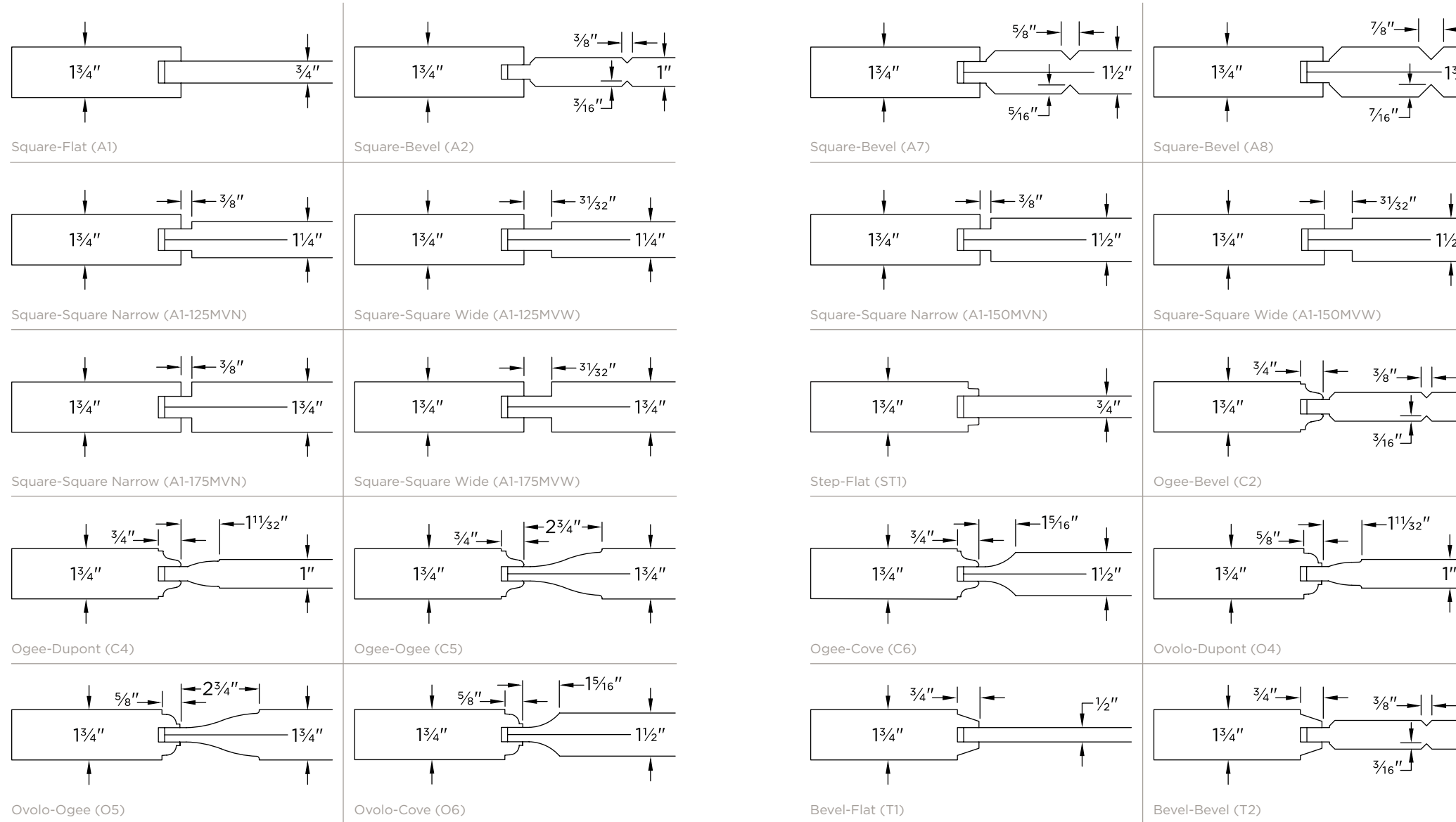
Details

STICKING + PANEL PROFILES

Panels are the large, wide, and flat components of a stile and rail door. A panel profile is a decorative cut into the edge of the wood panel, creating the "raised panel" effect and adding depth and beauty to the design. Sticking is the decorative profile on the edge of the stiles and rails (the vertical and horizontal frames of the door, respectively) where they meet the panel. Sun Mountain makes over 90 combinations of sticking and panel profiles. The most popular of these profiles are shown here.

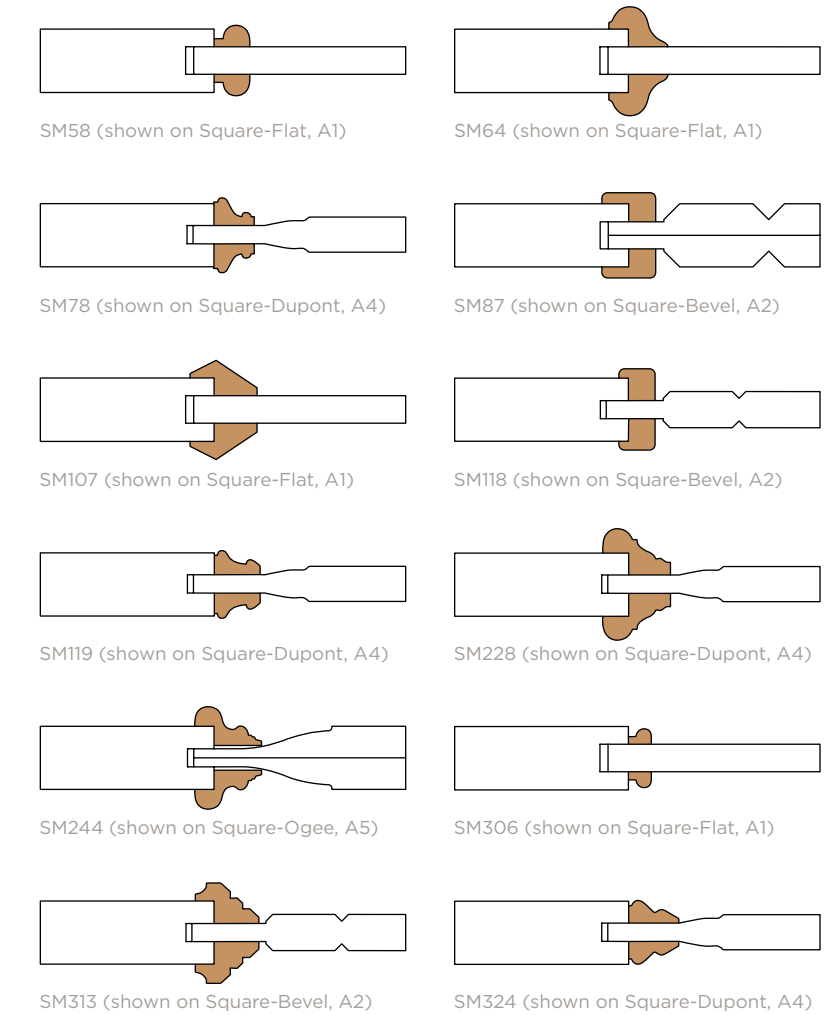


From top: Ogee-Ogee (C5) sticking and panel profiles; Square-Ogee (A5) sticking and panel profiles, with SM4 applied moulding.



APPLIED MOULDINGS

Applied mouldings are an optional decorative trim attached where the panels meet the stiles and rails of the door, or placed on the panel surface to create a decorative pattern. Sun Mountain manufactures over 30 applied moulding profiles. The most popular of these mouldings are shown here.



Function

HINGES

PIN AND BARREL Flat Black Bright Brass Dull Brass Antique Brass Oil Rubbed Bronze Satin Nickel Antique Nickel Bright Chrome Dull Chrome

Sun Mountain offers square-corner, ball bearing pin and barrel hinges, available in a choice of nine finishes, standard with factory pre-hanging.

HIDDEN

Sun Mountain offers hidden hinges from leading manufacturers. These hinges mount in mortise pockets on the door edge and frame, and are completely hidden from view from the face of the door. This allows for a clean, modern look with no pin and barrel hinges visible on the door face.

SLIDING BARN DOORS

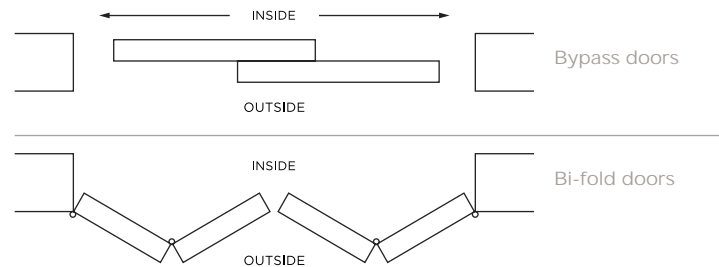
Sun Mountain offers both rustic and contemporary sliding barn door hardware. Rustic designs include a classic rat-track hardware system, with spoke wheels mounted to the door with wide strap hangers. Contemporary designs include sleek stainless steel hardware, with large roller wheels running on a rounded stainless steel bar or rat-track.

POCKET DOORS

Pocket doors were first created over 100 years ago, and were a popular feature in many Victorian-style homes in the late 1800s and early 1900s. A pocket door slides on a hardware track inside the adjacent wall structure, disappearing into the wall when open. Though pocket doors fell out of design favor for many years, they are now making a resurgence, helped by new and improved (smooth and quiet) hardware systems.

BYPASS + BI-FOLD DOORS

Bypass doors are double doors that open and close by sliding side-by-side on a metal track. Bi-fold doors are door pairs hinged in the middle, that slide on a track and open and close in an accordion fashion. Bypass and bi-fold doors are most often used for interior closet or pantry door applications. Sun Mountain includes track hardware with the price of these doors.



PIVOT

Pivot hinges attach at the top and bottom of the door, installed several inches from the door edge, allowing for a unique swinging function. Sun Mountain offers pivot hinges from leading suppliers.

At left: SQ-0001-F003, knotty Walnut, Clear Coat.

Below: SQ-0003-D005-W, select Alder, Mocha stain.

Pre-hung interior door.

Pre-hung exterior door.

INTERIOR DOORS

For interior doors, Sun Mountain offers solid wood rat jamb with an adjustable stop. If the door is ordered with a factory-applied wood finish, the jambs and stop are finished separately. This provides for installation of the jamb and on-site adjustment of the stop without finish touch-up.

Sun Mountain also offers solid wood kerfed rat jambs. A kerf is a slot cut on the edge of the jamb, used for wrapping the drywall corner bead (square or rounded drywall corners) into the jamb. Kerfed rat jambs provide for a caseless opening, with drywall connecting directly to the door frame, thus requiring no case mouldings. Kerfs can be on both sides (as shown) or on just one side of the jamb.

Flat jamb with adjustable stop (mitered stop shown).

Kerfed (both sides) rat jamb with adjustable stop (full length stop shown).

Rabbeted jamb with weatherstrip.

Kerfed (one side) rabbeted jamb.

PRE-HANGING

A pre-hung door consists of a door hung on hinges and assembled in a wood frame (the frame is also called the door jamb), with a door stop. A pre-hung door is ready to install in the door opening, with no on-site assembly required. This reduces construction time and scheduling, and lowers project cost. If the pre-hung door is also pre-finished, this further reduces steps and cost in the construction process.

Sun Mountain not only manufactures the highest quality doors, but also offers optional pre-hanging of the doors. Factory pre-hanging ensures that hinge pockets are mortised square and precise, and that hinges are always flush on the door and frame. Hinges are included in the price of pre-hanging, and are available in a selection of metal finishes. Machining for hardware (boring and latch/deadbolt mortising for handles and locksets) is also provided at no additional cost with factory pre-hanging. A choice of single or double bore options is available in different backset positions (the placement of the handle or lockset from the door edge). Factory pre-hanging also ensures that the reveal (the small gap between the door and the jamb, when the door is closed) is always correct. Sun Mountain's standard pre-hanging options are shown here. Custom door jambs, including unique designs and sizes, are also available.

EXTERIOR DOORS

Pre-hanging of exterior doors is much more expensive than pre-hanging interior doors. First, exterior doors are framed with a more robust rabbeted jamb. A rabbeted jamb includes a non-adjustable stop cut into solid wood, and Q-Lonfi weatherstrip that is inserted into a kerf (or slot) cut into the stop of the jamb. Weatherstrip is a durable foam rubber material used to seal the side and top edges of an exterior door, to limit air transfer and exposure to outside elements.

Sun Mountain also offers solid wood kerfed rabbeted jambs. If this application is desired, exterior doors are normally kerfed on only one side the inside of the door.



SUN MOUNTAIN DOORS

140 COMMERCE DRIVE | BERTHOUD, CO 80513

888.786.6861

info@sunmountaindoor.com

SUNMOUNTAINDOOR.COM

Showrooms:

Berthoud, CO (HQ)

Asheville, NC

Austin, TX

Colorado Springs, CO

Denver, CO

Las Vegas, NV

Naples, FL

Park City, UT

San Francisco, CA

Santa Fe, NM

Scottsdale, AZ